

Drop-in Replacements

for Trane® Climatuff® Reciprocating Compressors



Now, a drop-in replacement for your customers that are working on Trane® units with Climatuff® reciprocating compressors in only two steps!

Step One: Verify it's a Climatuff® reciprocating compressor by asking if it's:

1. **ORANGE** in color?
2. Mounted on three legs?
3. Uses refrigerant R-22?
4. Connections are Rotolock?

If all answers are **YES**, you now have a replacement opportunity!



Step Two: Select the replacement part number in **Table 1** once you determine:

1. The distance between suction to discharge fittings (either 7.5" or 9")
and
2. The nominal capacity in tons

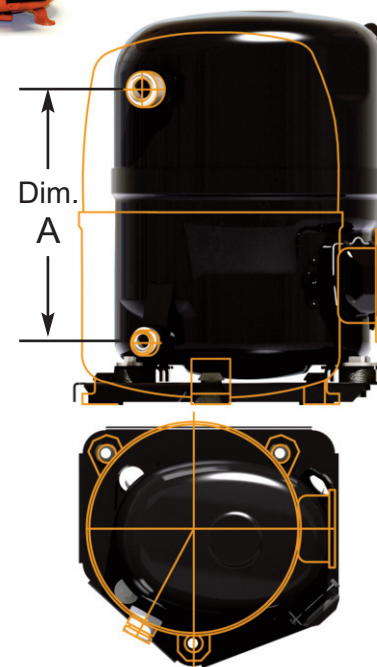


Table 1

Drop-in Replacement Part Number	Suction to Discharge (Dimension A) Measure Centerline to Centerline	Nominal Capacity (tons)
HTRB183ABCS	9"	1.5
HTRB253ABCS	9"	2
HTRJ303ABCT	7.5"	2.5
HTRJ363ABCT	7.5"	3

Drop-in replacement part numbers all have the same fit and function as the original reciprocating compressor:

1. **BLACK** in color (and comes with a molded plug in the box)
2. Same three-leg mount
3. Charged with POE oil (so may be used with R-22 or R-407C)
4. Same rotolock configuration as TRANE®, American Standard® and Maneurop®
5. Same suction to discharge fitting distance
6. Same nominal capacity

See cross-reference on back for more details.



**Universal HVAC/R
Parts and Supplies**

Cross-reference Table

Trane Compressors				Replacement Compressors							
Trane Model Number*	Trane Part Number	Trane Cylinders	Trane Shell Height (in)	Part Number	Capacity (tons)	Electrical	Cylinders	Rotolock Size (Suction/Discharge)	Suction to Discharge Differential	Ship Weight	Shell Height (in)
AL17A-AA1-A	COM06961	1	13.0	HTRB183ABCS	1.5	208/230-1-60	2	1.25" S-12THR/ 1" D-14THR	9"	82 lbs	13.2
AP19A-8A1-JA	COM08671		14.0								
AP21A-BC1-A	COM06355		14.0								
AS17A-AA1-A	COM07003		13.0								
BH173-ZA1-G	COM03728		13.2								
BH193-AB1-GA	COM03719		13.2								
BH193-AB1-GB	COM04324		13.2								
BP173-ZA1-A	COM02795		14.2								
BP173-ZA1-G	COM03693		14.2								
AL22A-CC1-A	COM06400		13.0	HTRB253ABCS	2						
AL24A-CD1-A	COM06920		13.0								
AP24A-CD1-JA	COM08672		14.0								
AS22A-CC1-A	COM06965		14.0								
AS24A-CD1-A	COM06980		14.0								
BH223-BC1-GC	COM04326		14.2								
BH233-CC1-GA	COM03729		14.2								
BJ223-BC1-GA	COM03729		14.2								
BP223-BC1-GA	COM06315		14.2								
BP233-CC1-GA	COM06329	14.2									
CP223-BC1-A	COM02750	15.6									
CP223-BC1-G	COM03688	15.6									
FH283-EE1-G	COM04272	2	16.6	HTRJ303ABCT	2.5	1.75" S-12THR/ 1.25" D-12THR	7.5"	98 lbs	15.9		
GP283-EE1-A	COM02755		16.6								
GP283-EE1-G	COM03689		16.6								
GP293-EF1-JA	COM08673		15.6								
FH343-FG1-GA	COM03762		16.6	HTRJ363ABCT	3						
FH373-GG1-GA	COM03717		16.6								
GP343-FG1-GA	COM03690		16.6								
GP373-8F1-JA	COM08676		15.6								
GP373-GG1-A	COM02630		16.6								

* Cross-references are not limited to suggested models shown. Box dimensions for all replacement compressors are 18 X 18 X 20

Replacement Compressors Component Chart

Part Number	ARI Capacity	LRA	Start Cap MFD/Volts	Totaline Start Capacitor Part Number	Start Relay	Run Cap MFD/Volts	Totaline Run Capacitor Part Number	Totaline Liquid Line Filter Drier Part Number	Totaline Heat Pump Filter Drier Part Number
HTRB183ABCS	17800	48	161-193/250	P281-1615	GE 3ARR3*3V*()	40/440	P291-4054RS	P502-8083S	P504-H083S
HTRB253ABCS	23000	61	145-175/250	P281-1455	GE 3ARR3*3T*()	40/440	P291-4054RS	P502-8083S	P504-H083S
HTRJ303ABCT	28200	78	189-227/330	P281-1896S	GE 3ARR3*3S*()	40/440	P291-4054RS	P502-8163S	P504-H163S
HTRJ363ABCT	34200	78	189-227/330	P281-1896S	GE 3ARR3*3S*()	50/440	P291-5054RS	P502-8163S	P504-H163S

* Go to Totaline.com to browse our catalog for additional run capacitors and liquid-line or heat pump driers.



**Universal HVAC/R
Parts and Supplies**